

## 1W OEM 802.11b/g/n 与 LTE 以太网/串口 WIFI 路由器

pX2LTE-4GL结合了原有pX2的WiFi路由器/网关和一个强大的LTE整合成到一个紧凑的OEM包。提供了全球的LTE频段支持，支持3G/HSPA备份，下载速度最高可达150Mbps。嵌入式pX2提供高功率（1W）、广范、快速的802.11n WiFi接入，供远程设备连接。pX2LTE-4GL具有双以太网、双RS232、USB和GPS功能。

802.11 b/g/n (1W) WiFi

可靠的150 Mbps LTE速率

紧凑的结构

以太网、串口、USB

工业级温度

AP、Station、Mesh模式



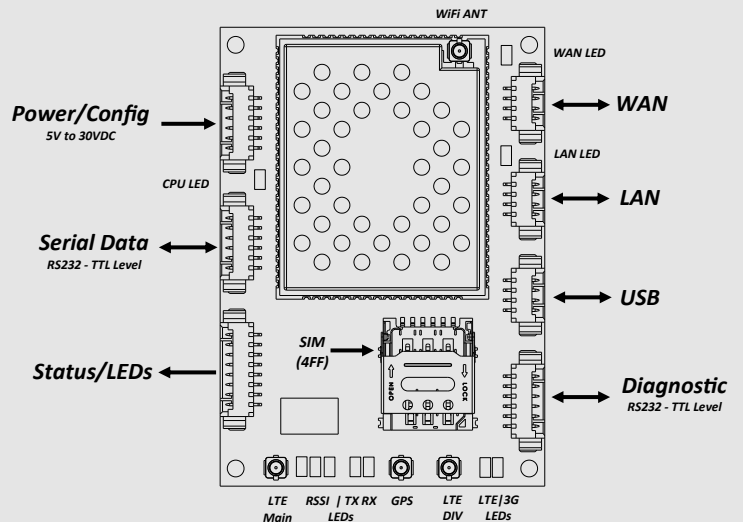
Only 30 grams!

1.6" X 2.25" X 0.35"



## pXLTE Features

- 高功率WiFi (高达1W) 与优秀的接收灵敏度
- 802.11b/g/n WiFi, 高达150 Mbps速率
- 150 Mbps下行的4G/LTE运作与全球频段的支持
- ACL安全防火墙, 端口转发
- 全功能AP, AP站, Mesh自组网模式
- 双数据/控制串口(RS232)
- 双10/100M以太网口 (LAN/WAN)
- 宽温度工作范围 (-40℃—+85℃)
- 独立的GPS
- 通过本地控制台, telnet, and web浏览器配置
- 本地和远程固件远程无线升级



# pX2LTE Series Specifications

WiFi Specifications		Performance Specifications (WiFi)			
频率	2.4000 - 2.4835 GHz	<b>Rate</b>	<b>Mode</b>	<b>Tx Power</b>	<b>Recieve</b>
无线运作	IEEE 802.11 b/g/n	1 Mbps	802.11b	30 dBm	-97 dBm ±1 dB
输出功率	Up to 30dBm (1W)	2 Mbps	802.11b	30 dBm	-96 dBm ±1 dB
线路速率	Up to 150 Mbps	5.5 Mbps	802.11b	30 dBm	-95 dBm ±1 dB
错误检测/控制	FEC/ARQ	11 Mbps	802.11b	30 dBm	-92 dBm ±1 dB
工作模式	Full Scale Access Point, AP Station	6 Mbps	802.11g	30 dBm	-94 dBm ±1 dB
加密	WEP,WPA(PSK), WPA2(PSK), WPA+WPA2(PSK), WPA Enterprise (RADIUS), WPA2 Enterprise, WPA + WPA2 Enterprise	9 Mbps	802.11g	30 dBm	-93 dBm ±1 dB
范围	> 10 miles (16 km) (Antenna Dependent)	12 Mbps	802.11g	30 dBm	-91 dBm ±1 dB
<b>Cellular Specifications</b>		18 Mbps	802.11g	30 dBm	-90 dBm ±1 dB
蜂窝支持频段	LTE FDD: B1,B2,B3,B4,B5,B7,B8,B12,B13, B18,B19,B20,B26,B28 TDD: B38,B39,B40,B41 WCDMA: B1,B2,B4,B5,B8,B6,B19 GSM: B2/B3/B5/B8	24 Mbps	802.11g	28 dBm	-86 dBm ±1 dB
高数据特性*	LTE FDD: Up to 150 Mbps DL, 50 Mbps UL LTE TDD: Up to 130 Mbps DL, 35 Mbps UL DC-HSPA+: Up to 42 Mbps DL, 5.7 Mbps UL WCDMA: Up to 384 Kbps DL, 384 Kbps UL EDGE: Up to 296 Kbps DL, 236.8 Kbps UL GSM: Up to 107 Kbps DL, 85.6 Kbps UL	36 Mbps	802.11g	28 dBm	-83 dBm ±1 dB
*模块实验室单独性能		48 Mbps	802.11g	26 dBm	-77 dBm ±1 dB
<b>General Specifications</b>		54 Mbps	802.11g	26 dBm	-75 dBm ±1 dB
端口	RS232 (Tx, RX, RTS, CTS, DTR, DSR) 300bps to 921kbps 双10/100BaseT IEEE802.3 2.0	MCS0	802.11n (HT20)	30 dBm	-96 dBm ±1 dB
管理	本地串口控制台, Telnet, WebUI, SNMP, FTP Upgrade, TFTP, CLI (命令行界面)	MCS1	802.11n (HT20)	30 dBm	-95 dBm ±1 dB
先进的网络协议	TCP, UDP, TCP/IP, ARP, ICMP, DHCP, HTTP, SNMP, FTP, Serial over IP  IP Routing - static Routing, IP/RIPv1, IP/RIPv2, CIDR, ICMP, ARP NAT and Port Forwarding (Routing mode only).  Full 802.1Q VLAN Support, 访问控制列表 (MAC & IP), MAC/IP Binding, 支持多SSID	MCS2	802.11n (HT20)	30 dBm	-92 dBm ±1 dB
诊断	远程诊断, 监控工具 (Ping, ARP表, DHCP租用活跃, CCQ), Link Test	MCS3	802.11n (HT20)	28 dBm	-90 dBm ±1 dB
输入电压	7-30 VDC	MCS4	802.11n (HT20)	28 dBm	-86 dBm ±1 dB
接口	WiFi Antenna: UFL LTE Antenna: UFL x3 (Main, Div, GPS) Power: 6-Pin Quick Connect Serial/Console: 2x 6-Pin Quick Connect Status/LEDs: 8-Pin Quick Connect WAN/LAN: 2x 4-Pin Quick Connect USB: 4-Pin Quick Connect SIM Slot: Nano(4FF)	MCS5	802.11n (HT20)	26 dBm	-83 dBm ±1 dB
环境	温度: -40°F to 185°F (-40°C to +85°C) 湿度: 5-95%, 无凝结	MCS6	802.11n (HT20)	26 dBm	-77 dBm ±1 dB
重量	大约30克	MCS7	802.11n (HT20)	26 dBm	-75 dBm ±1 dB
尺寸	1.60" (40mm) x 2.25" (57mm) x 0.35" (9mm)	MCS0	802.11n (HT40)	30 dBm	-94 dBm ±1 dB
认证	FCC Part 15.247 IC RSS210	MCS1	802.11n (HT40)	30 dBm	-93 dBm ±1 dB
		MCS2	802.11n (HT40)	30 dBm	-90 dBm ±1 dB
		MCS3	802.11n (HT40)	28 dBm	-89 dBm ±1 dB
		MCS4	802.11n (HT40)	28 dBm	-84 dBm ±1 dB
		MCS5	802.11n (HT40)	26 dBm	-81 dBm ±1 dB
		MCS6	802.11n (HT40)	26 dBm	-75 dBm ±1 dB
		MCS7	802.11n (HT40)	26 dBm	-73 dBm ±1 dB

## Order Options

Model pX2LTE-4GL

## Contact Information

Microhard Systems Inc.  
150 Country Hills Landing N.W.  
Calgary, AB, Canada T3K 5P3

Email: [info@microhardcorp.com](mailto:info@microhardcorp.com)  
Tel: (403) 248-0028  
Fax: (403) 248-2762

Copyright 2019 Microhard Systems Inc.  
Specifications subject to change without notice.

